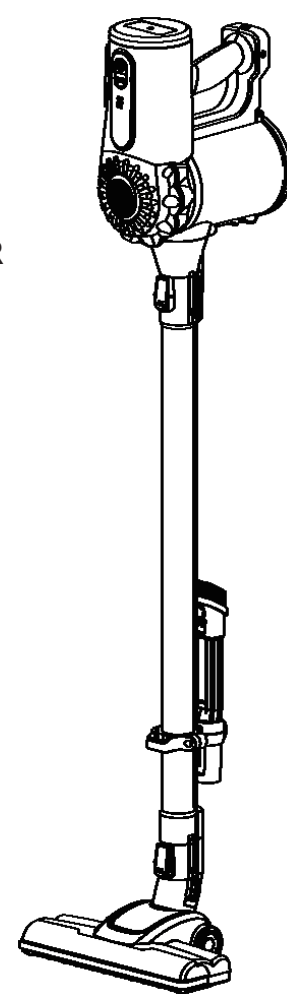


# LIVING & CO®

## INSTRUCTION MANUAL CORDLESS STICK VACUUM CLEANER



MODEL :SL595B

LIVING & CO® AFTER SALES SUPPORT  
☎ 0800 422 274

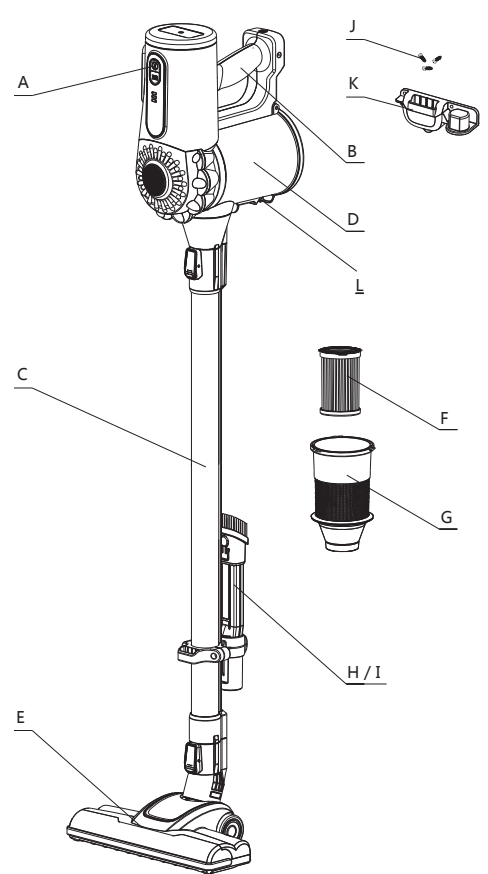
1

**CONTENTS:**

Product Overview	2
Description	2
Technical Specifications	3
Accessories	3
Important safeguards	4-5
Safety warning	5
Battery Charging	5
Assembly and Operation	6-7
Description of Floor Vacuum Head	7
Emptying the dust collection container	7-8
Cleaning the HEPA filter	8-9
Cleaning the motorized power head	9
Maintenance	9
Troubleshooting	10
Responsible disposal	11
Warranty	11

2

**PRODUCT OVERVIEW:**



- DESCRIPTION**
- A. On/Off Switch
  - B. Handle
  - C. Vacuum Rod
  - D. Dust collection compartment
  - E. Floor vacuum head
  - F. HEPA filter
  - G. Filter cover
  - H. Small brush attachment
  - I. Nozzle attachment
  - J. Mounting screws
  - K. Wall bracket
  - L. Release actuator for dust canister

LIVING & CO® AFTER SALES SUPPORT  
☎ 0800 422 274

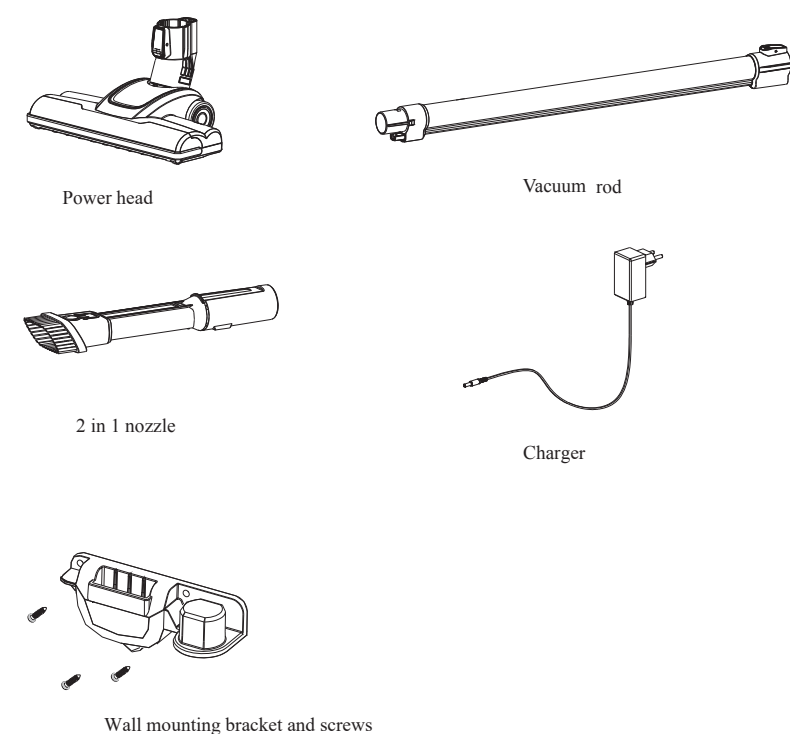
3

**TECHNICAL SPECIFICATIONS**

**Vacuum**  
Model no. : SL595  
Rated power : 115W  
Operation time: 20-30 min  
Charging time: 5-6H  
Battery: Li-ion 2200mAh

**Charger**  
Input : 100-240V~50/60Hz 0.5A  
Rated voltage: 18.5V ---  
Output : 22V---500mA

**ACCESSORIES**



LIVING & CO® AFTER SALES SUPPORT  
☎ 0800 422 274

4

**IMPORTANT SAFEGUARDS**

Read this manual thoroughly before first use, even if you are familiar with this type of product. The safety precautions enclosed reduce the risk of fire, electric shock and injury when correctly adhered to:

READ ALL INSTRUCTIONS BEFORE USING YOUR VACUUM CLEANER AND KEEP THIS MANUAL FOR FUTURE REFERENCE. Always follow basic safety precautions and accident prevention measures when using an electrical appliance including the following:

- Before using the appliance, check that the mains supply voltage corresponds to the voltage shown on the rating plate.
- Always remove the plug from the power socket when the appliance is not in use and before carrying out any cleaning or maintenance operations.
- Never use methylated spirits or other solvents to clean the appliance.
- Do not use the appliance to vacuum up liquids or damp items.
- This appliance is designed for attended use only, never leave the appliance unattended when it is switched on.
- Keep the appliance out of reach from children or the infirm.
- This appliance is intended for domestic use only. Use as described in this instruction booklet.
- Do not operate the appliance if it has been dropped / damaged or appears to be faulty.
- Do not handle the supply plug or the appliance with wet hands.
- Do not pull or carry by the supply cord, or pull cord around sharp edges or corners.
- If the supply cord is damaged, it must be replaced by the manufacturer or its service agent or a similarly qualified person in order to avoid a hazard.
- This appliance can be used by children aged from 8 years and above and persons with reduced physical, sensory or mental capabilities or lack of experience and knowledge if they have been given supervision or instruction concerning use of the appliance in a safe way and understand the hazards involved.
- Children shall not play with the appliance. Cleaning and user maintenance shall not be made by children without supervision.
- Keep the appliance and its cord out of reach of children less than 8 years.
- Do not remove the plug from the socket by pulling the cable or the appliance itself.
- Do not use the appliance to vacuum anything that is burning or smoking such as matches, cigarette ends and hot ash.
- Do not use the appliance on wet surfaces.
- Do not obstruct the air intake or outlet vent.
- Do not use the appliance to vacuum needles, drawing pins or strings.
- Not intended for outdoor use.
- Switch off the appliance using the on/off switch and the wall socket switch before removing the plug from the electrical socket outlet.
- Keep end of hose, rods and other openings away from your face and body.
- Do not use the vacuum cleaner without the dust collection container or filters in place.
- Keep hair, loose clothing and all parts of the body away from openings and moving parts.

LIVING & CO® AFTER SALES SUPPORT  
☎ 0800 422 274

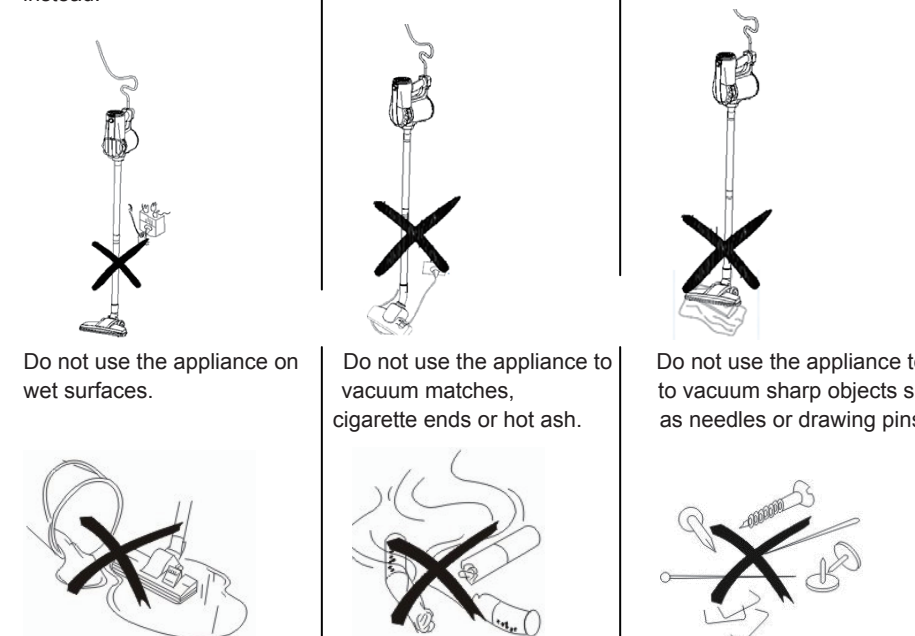
5

**SAFETY WARNINGS!**

Do not remove the plug from the socket by pulling the cable of the appliance. Hold the plug instead.

Do not run the appliance over the power cable.

Do not obstruct the air intake or outlet vents.



**BATTERY CHARGING:**

- Please make sure that product is powered off, connect the charger to the mains supply socket, switch the socket on and then connect the charge lead output connector into the power inlet on the right side of the cleaner body.
- Three charging lights flash on in sequence to indicate charging is in process. When charging is complete, all 3 lights stay illuminated for 3 minutes and then all switch off. Note, charging time will vary depending on the status of the battery prior to connection, however if completely flat then a charge time of around 4 – 5 hours will be required. We recommend charging fully and then fully discharging for the initial 1 – 3 times of first use.

**WARNING:** - Do not turn on the product and Do not try removing battery during it's charging!  
- Only charge when ambient is within 10 – 40 degrees Celsius, charging outside of this may damage the battery.

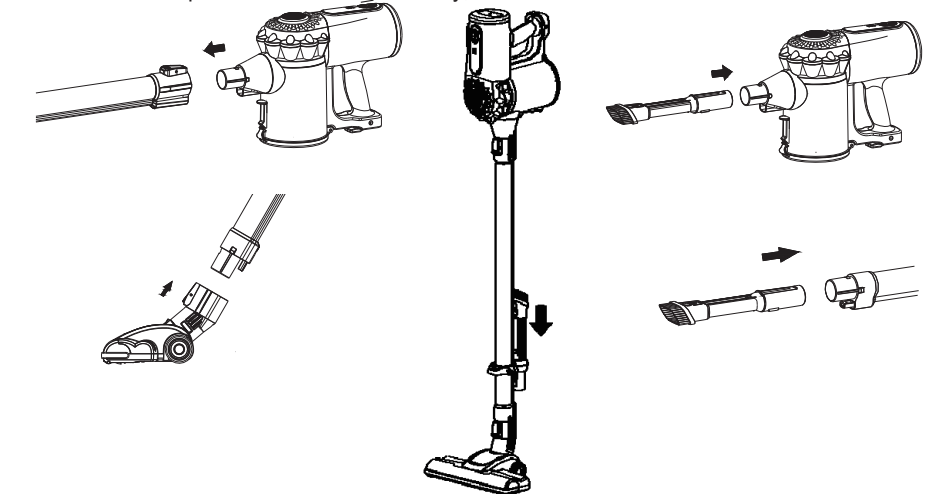
LIVING & CO® AFTER SALES SUPPORT  
☎ 0800 422 274

6

**ASSEMBLY AND OPERATION**

**Instructions for use:**

- Ensure battery is suitably charged, refer 'Battery Charging' section above for further information
- Insert one end of the vacuum rod onto the inlet nozzle of the main vacuum body (refer image below).
- Insert the floor vacuum head attachment nozzle onto the opposite end of the rod.
- As an alternative to using the floor vacuum head, the 2-in-1 nozzle attachment can be used (ideal for furniture / shelves etc).
- Ensure the dust collection container is fitted correctly to the main body (refer 'Dust collection container removal and filter cleaning' section).
- Whilst holding the appliance by the handle, press the power button on the main body to start appliance.
- Pressing the power (ON/OFF) button once activates low power, pressing again switches the vacuum off. Press the (MAX) button to activate high power.
- When battery is running out of power, the Power light on body keeps flashing on until the product turns itself off. Follow Battery Charging section for further information.
- The motorized vacuum power head operates at high speed. To avoid damage to cleaning surface, do not leave this in the same spot for too long.
- The motorized vacuum power head has an over-heating protection function which can cut off the power to nozzle when blockage or temporary jamming occurs. If this occurs, please switch off the product, unblock and clean the nozzle. Do not use the product until it cools down.
- When you have finished using the appliance, push the power button again to switch off.
- Check dust collection container contents and empty if required, never allow the container to exceed the maximum mark.
- Store the product for later use in a dry, well ventilated location.

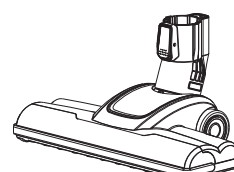


LIVING & CO® AFTER SALES SUPPORT  
☎ 0800 422 274

7

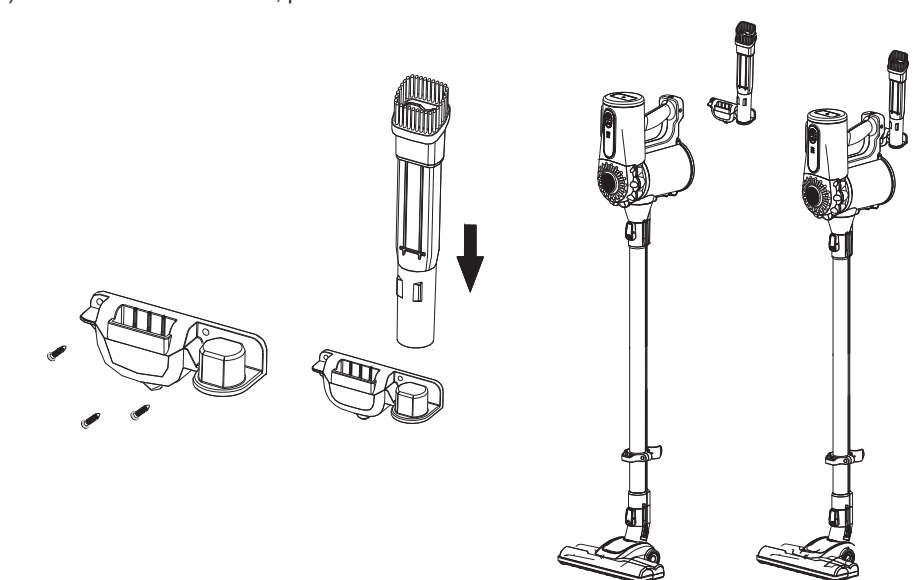
**Floor Vacuum Head**

The floor vacuum head can be used on bare floors (wood / tile / vinyl / concrete etc). To assist with the movement and function of the vacuum head, the underside includes a motor driven brush.



**Wall Mounting Bracket**

- The wall mounting bracket provided can be used to support the vacuum when not in operation, along with support of the small brush / nozzle attachment.
- Find a suitable wall location clear of obstacles / doors. Ensure well clear from heating sources (such as oven / wall heaters / wood burning stoves etc). Do not locate within a damp or wet room such as bathrooms / laundry.
- Once a suitable location has been identified, place the bracket on the wall at a height just above the length of the vacuum. Use the screws provided to secure to the wall but ensure they will screw into a solid material such as wood (ie position in front of a wall stud / nog). If you need to secure to a Gib or plasterboard wall you will need to obtain suitable wall anchor plugs (available from a hardware shop).
- Once secured to the wall, place the vacuum and attachment as shown below.



LIVING & CO® AFTER SALES SUPPORT  
☎ 0800 422 274

8

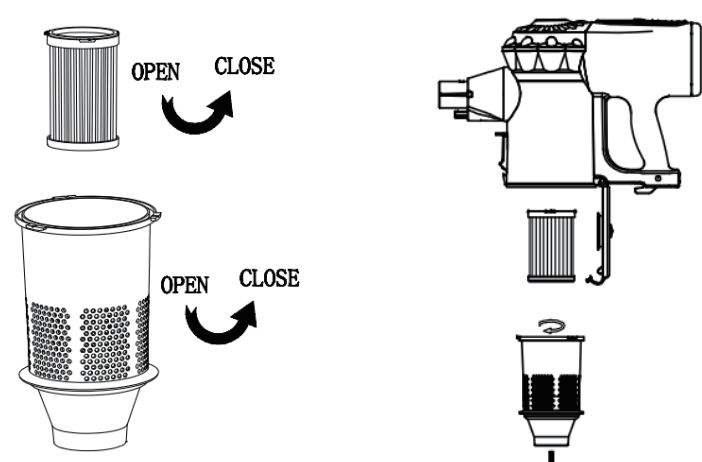
**Emptying the dust collection container**

- Switch the unit off and remove the vacuum rod from the body.
- Whilst positioning the underside of the collection contain (refer image) over a rubbish bin, push the release clip lever downwards on the collection container body, which will allow the hinged lower cover to open.
- Gently tap the collection container body to allow contents to fall out, once complete, close the hinged cover so that it locks back into position.

**CLEANING THE HEPA FILTER**

The filter should be cleaned regularly or after heavy use. To access the filter, follow the instructions for 'Emptying the dust collection container' up to instruction 2), then proceed as follows:

- With one hand, reach in to hold the filter cover and rotate anti-clockwise to allow the filter cover to unlock and release, this can now be removed from the collection container.
- Wipe any remaining surface dust / dirt from the filter cover.
- With the filter cover removed, the Hepa filter can now be removed from within the machine:



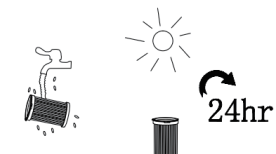
- Remove the Hepa filter from the machine by rotating the filter body anti clock-wise to release, then pull away from the machine.

LIVING & CO® AFTER SALES SUPPORT  
☎ 0800 422 274

9

**CLEANING THE HEPA FILTER : CONTINUED**

- Wash the hepa filter under running water to remove dust deposits and dirt.
- Shake out all excess water, and leave to fully dry (naturally) for at least 24 hours before placing back into the machine.

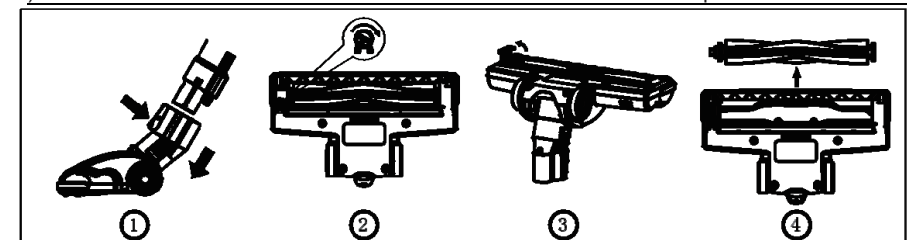


**WARNING:** Failure to follow this instruction will compromise safety and reduce the effectiveness of the vacuum. The filter cannot be cleaned in the washing machine.

- Once completely dry, re-insert the filter back into the machine by aligning the locating ridges and rotating clockwise to lock in position.
- Re-insert the filter cover to the collection container and rotate clock-wise to lock in position.
- Close the lower hinged cover until it 'clicks' to lock in position.

**CLEANING THE MOTORISED POWER HEAD**

- Turn off the power and release the motorised power head.
- Turn the button on the bottom of nozzle by using a flat object such as a coin to rotate to the "unlock" position.
- Lift up the roller brush and remove.
- Along the groove on the roller, remove twirled hair or blockage by scissors or knife.
- Place back the cleaned roller and turn the button back to the "lock" position.



**MAINTENANCE**

It is important that the dust collection container is regularly emptied and that the inlet / outlet filters are regularly cleaned – follow the section 'Emptying the dust collection container and filter removal / cleaning' earlier in this manual.

If the body of the appliance requires cleaning, use a dry cloth. Do not use abrasive scouring pads or cleaning products.

LIVING & CO® AFTER SALES SUPPORT  
☎ 0800 422 274

10

**TROUBLESHOOTING**

Please check the following details before you have your appliance repaired by an authorised servicing agent

Problem	Possible Cause	Possible Solution
Vacuum cleaner does not work	1. Battery is flat 2. Check if the power button of the appliance is in the on position.	1. Follow the charging instructions. 2. Press the vacuum cleaner power button to the on position.
Suction power becomes weak	1. Check if the vacuum rod or floor vacuum head is clogged or damaged. 2. Check if the dust collection container is full. 3. Check if the filters are clogged.	1. Remove the obstruction and clean any dust build up. 2. Empty the dust collection container. 3. Remove and clean the filters then reassemble.
Operating time seems shorter than previous	1. Battery not fully charged 2. Battery aging	1. Follow charging instructions ensure battery is fully discharged (flat) and then leave to charge uninterrupted for full recommended time (4-5 hours). 2. After an extended period of use (outside of warranty period) the effectiveness of the battery will reduce as the product reaches end of life.

LIVING & CO® AFTER SALES SUPPORT  
☎ 0800 422 274

11

**Responsible disposal**

At the end of its working life, do not throw this appliance out with your household rubbish. Electrical and electronic products contain substances that can have a detrimental effect on the environment and human health if disposed of inappropriately. Observe any local regulations regarding the disposal of electrical consumer goods and dispose of it appropriately for recycling. Contact your local authorities for advice on recycling facilities in your area.



# LIVING & CO®

**Warranty**  
We pride ourselves on producing a range of quality home appliances that are both packed with features and completely reliable. We are so confident in our products, we back them up with a 2 year warranty. Now you too can relax knowing that you are covered.

Customer Helpline NZ: 0800 422 274  
This Product is covered by 2 year warranty when accompanied by proof of purchase.

LIVING & CO® AFTER SALES SUPPORT  
☎ 0800 422 274